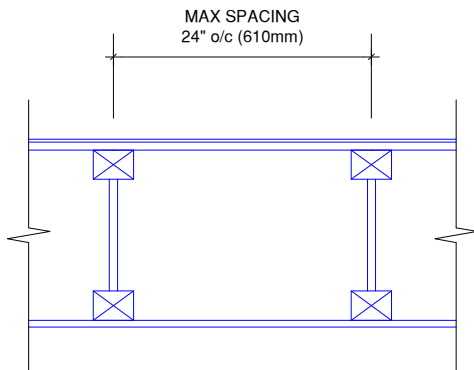


HTS Beams by *Twin River Beam*

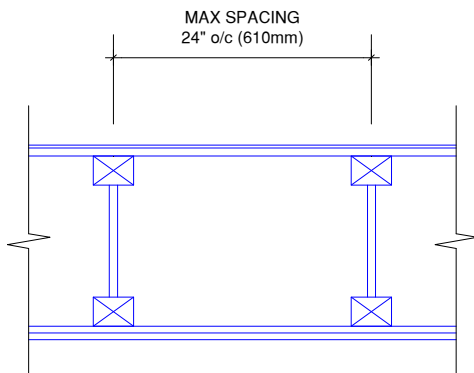
Fire Rated Assemblies



Assembly:

- > Finished Floor
- > Subfloor glued and nailed
 - 5/8" (15mm) for Joist spacing to 19.2" o/c
 - 23/32 (18mm) for Joist spacing exceeding 19.2" o/c
- > HTS Joists - min depth 11.25" (286mm)
- > 1 Layer of Type X Gypsum Wallboard

Typ 45 Min Fire Rated Floor Assembly



Assembly:

- > Finished Floor
- > Subfloor glued and nailed
 - 5/8" (15mm) for Joist spacing to 19.2" o/c
 - 23/32 (18mm) for Joist spacing exceeding 19.2" o/c
- > HTS Joists - min depth 11.25" (286mm)
- > 2 Layers of Type X Gypsum Wallboard

Typ 60 Min Fire Rated Floor Assembly

Assemblies based on the component additive method of calculating the Fire Resistance Rating of a framed assembly - NBCC 2015 - Appendix D2.